

BLUE OX®

Main Ramp Extension, 18” SC9026

Main Ramp Extension, 18” SC9026

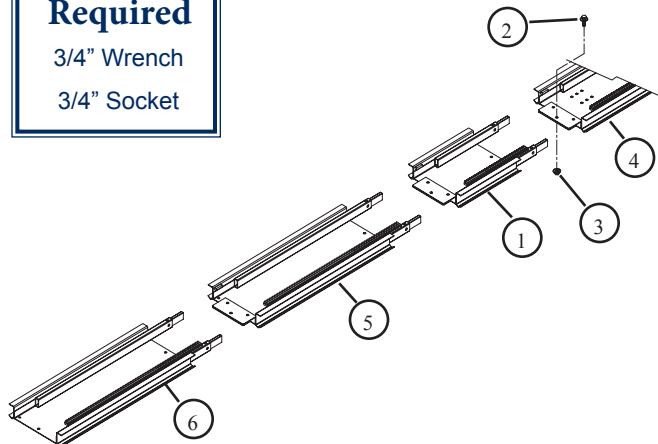
The SC9026 Main Ramp Extension is designed for use with Blue Ox’s Overbilt® SportLoaders (SC3000 and SC3001). The main ramp extension allows customers that have custom motorcycles with a longer wheelbase an additional 18” for transporting their bikes.

Contents:

Ref #	Qty.	Part #	Description
1	1	62-3601	Ramp, 18” Extension Assy, SC9026
2	1	201-0060	1/2-13 x 1” Hex Bolt, Grd 5, ZP
3	1	202-0072	1/2-13 Hex Flange Whiz Lock Nut, ZP
4	not included		Main ramp of the SC3000 or SC3001
5	not included		Mid ramp of the SC3000 or SC3001
6	not included		End ramp of the SC3000 or SC3001

Tools Required

3/4” Wrench
3/4” Socket



WARNING:

USE ONLY GENUINE FACTORY REPLACEMENT PARTS.

Do NOT substitute homemade or non-typical parts. This may cause your main ramp extension to fail and result in injury or death. If repairs of parts or components of your extension ramp are needed, you may order them through your nearest Blue Ox® dealer or distributor, or call our 24/7 Customer Care Team at (402) 385-3051 or toll free at (888) 425-5382.

Date 05/06

1 of 1

Installation Instructions

Installation Instructions

1. If necessary, remove the mid and end ramps from the main ramp.
2. Slide the main ramp extension into the main ramp.
3. Slide the the main ramp extension under the main ramp matching the main ramp extension hole to the center hole of the main ramp. Install the 1/2-13 x 1” Serr wash head bolt and 1/2-13 hex flange whiz lock nut and tighten with the 3/4” wrench and socket.
4. If necessary, reinstall the mid and end ramps to the main ramp extension.

At Blue Ox® we pride ourselves in offering exceptional customer service to our valued customers.

If you have any questions, comments, or concerns please feel free to contact a member of our 24/7 Customer Care Team by calling (402) 385-3051 or toll free at (888)425-5382.

BLUE OX® Customer Service Commitment

Blue Ox® is focused on providing exemplary customer service, as observed in our mission statement and guiding principles. In accordance with this objective, Blue Ox® is proud to provide services such as repairs and general maintenance of Blue Ox® products at over 150 RV Rallies. Look for our Destination America or Blue Ox® Racing service crews at the next rally or race that you attend. If you were not present, you will find an informative, personalized note explaining any services that may have been performed to your Blue Ox® products.

Blue Ox® also offers educational seminars at rallies and through our Parks and Resort teams. In addition, Blue Ox® customers visiting our factory may take advantage of the well-equipped Blue Ox® RV park at no charge to you, our valued and appreciated customer.



© 2006 Blue Ox
One Mill Road, Industrial Park
Pender, Nebraska 68047
Phone: (402) 385-3051
Fax: (402) 385-3360
www.blueox.us
292-2835

